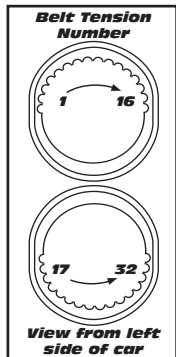
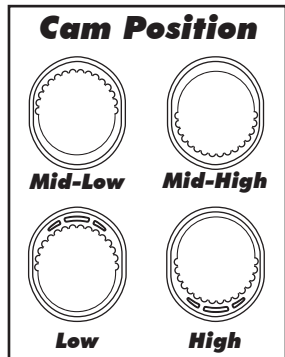
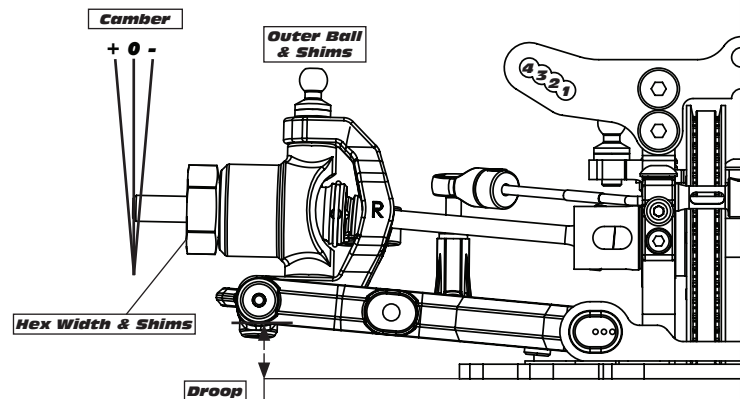
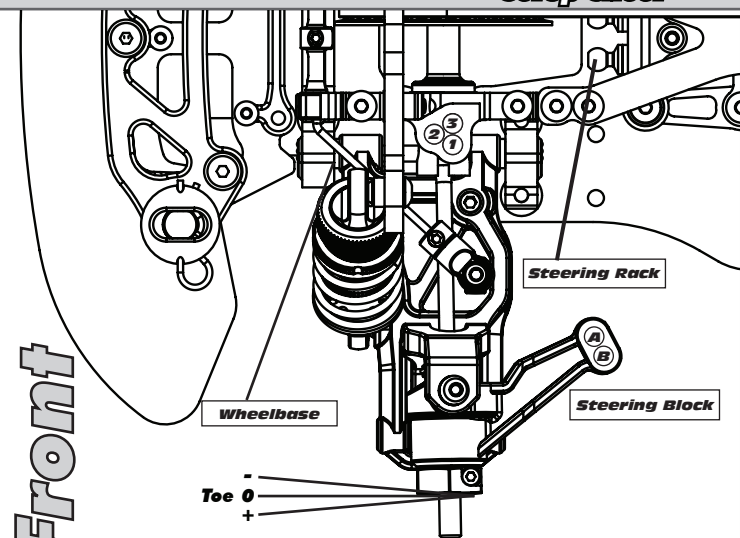


Setup Sheet

Conditions: Dry...yes dry! Track temp 30 15.65 fastest lap

Rev:1

Front



Front	Alignment	Rear
5.8	Ride Height	6.0
-1.5	Camber	-2
4	Caster	N/A
+1	Toe	-3
4.5mm	Hex Width & Shims	5mm
1mm	Wheelbase	1mm
Kit	Steering Rack Ball & Shims	N/A
Kit	Steering Block Position	N/A
Kit	Steering Block Ball & Shims	N/A

Notes:

Suspension Geometry		
3	Shock Position	3
1	Camber Link Position	1 + A
1.5mm	Inner Ball & Shims	1mm
0	Outer Ball & Shims	1.5mm
-2dot	Outer Arm Mount Insert	+2dot
0.5mm	Outer Mount Shims	1mm
-3dot	Inner Arm Mount Insert	+2dot
0.5mm	Inner Mount Shims	1mm
5.2	Droop	4
1.3	Anti-Roll Bar	1.2

Notes:

Shocks		
AE32.5wt	Fluid	AE32.5wt
Kit	Piston	Kit
0	Rebound	0
Centro 3.0	Spring	Centro 3.0

Notes: Sealed caps

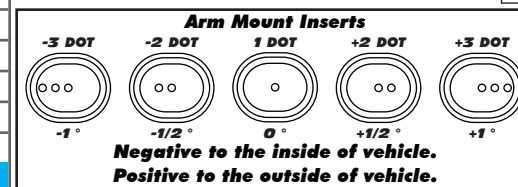
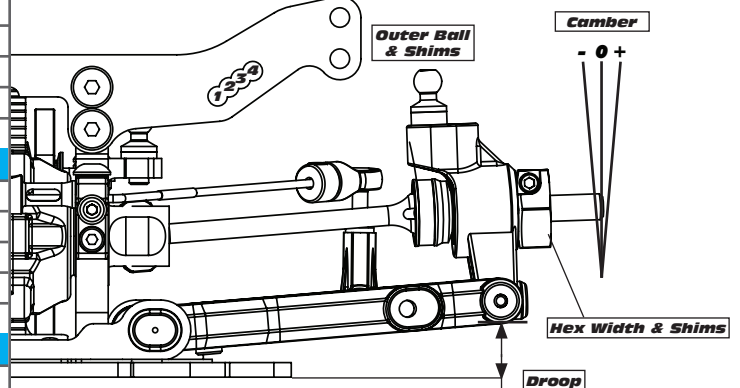
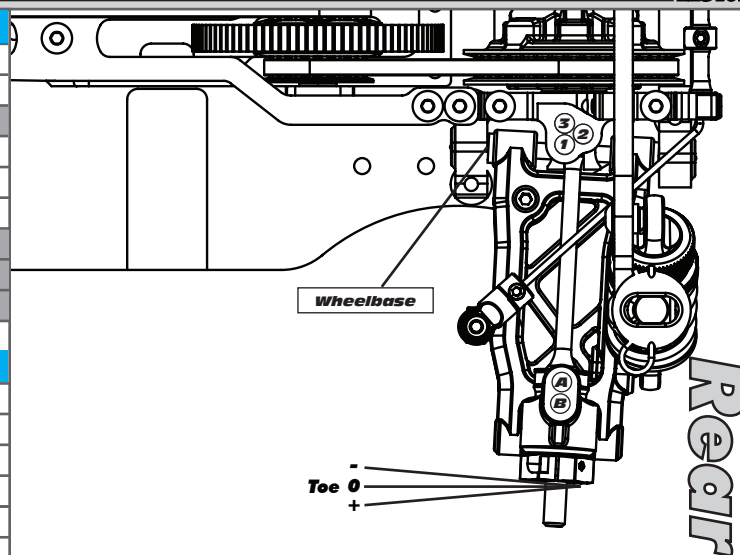
Differentials		
Spool	Type	GEAR
	Fluid	2k
	Diff Weight with Fluid	1.9g (fluid)
Mid low	Cam Position	Mid Low
	Belt Tension Number	

Notes:

Tires		
Sorex 32	Type	Sorex 32
	Tire Diameter	
	Insert & Wheel	
	Additive & Amount	

Notes:

Chassis		
Chassis:	Std	
Top Plate:	4 outer screws, motor mount milled 0.5mm	
Notes:	10g either side of steering 10 g in centre	



Transmitter		Speed Control	
Turning Circle:	28	E.S.C. Type:	HW V3.1
Steering Expo:	-15	E.S.C. Settings:	Max
Brake E.P. :		Software Version:	
Throttle Expo:		Notes:	

Battery		Body & Wing	
Battery Weight:			LTC-R LW
Battery Position:	Forward		Protoform HD
Notes:	Reedy Zappers 6000	Notes:	Car 1362g

Motor	Gearing
Reedy 13.5 M3 1S	/
Notes:	Notes: